

IV. LIGHTING LUMINAIRES

Diffusers for luminaire OZ, OP



Atlanta painted



Atlanta prismatic painted



Sphere white



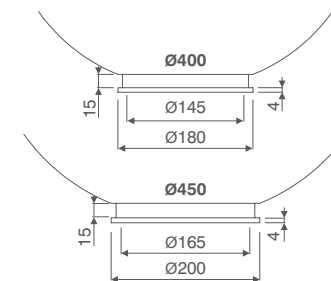
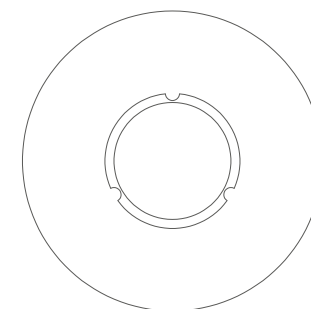
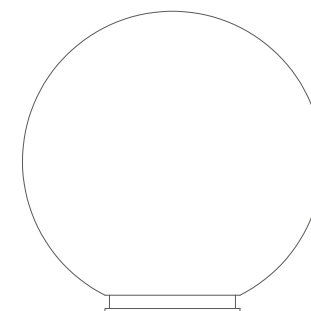
Sphere transparent



Sphere painted mounted downwards



Sphere painted mounted upwards



IV. LIGHTING LUMINAIRES

» Diffusers for luminaire OZ, OP



Sphere prismatic



Klio smoked



Klio smoked with cap

Lamp-diffuser type	Material type	White	Transparent	Smoked	Used luminaires type	Lamp-diffuser neck [mm]
		Code				
Sphere Ø400	PC-UV	651168	-	-	OP 400 OZ 400	Ø180
	PC	651170	651172	651174		
	PMMA	651171	651173	651175		
Sphere painted Ø400 (assembling upwards)	PC	669170	669172	669174	OP 400	
	PMMA	669171	669173	669175		
Sphere painted Ø400 (assembling downwards)	PC	670170	670172	670174	OP 400	
	PMMA	670171	670173	670175		
Sphere prismatic Ø400	PMMA	-	652173	652175	OP 400 OZ 400	
Klio Ø400	PMMA	675171	-	675175		
Atlanta painted Ø400*	PMMA	676181	-	-	OP 450 OZ 450	
Atlanta prismatic painted Ø400*	PMMA	-	677181	-		
Sphere Ø450	PC-UV	651268	-	-	OP 450 OZ 450	Ø200
	PMMA	651281	651283	651285		
Sphere painted Ø450 (assembling upwards)	PMMA	669281	669283	669285	OP 450	
Sphere painted Ø450 (assembling downwards)	PMMA	670281	670283	670285		

* black colour as standard, other RAL colours on request

Additional elements	Code	Material	Colour		External diameter
			top of cap	down of cap	
Cap for Klio	923710	thermoplastic	black	white	550

IV. LIGHTING LUMINAIRES

Diffusers for luminaire OPC-1, OPA, OPA-1, OW, OW-2



Auris



Auris Maxi



Atlantis transparent



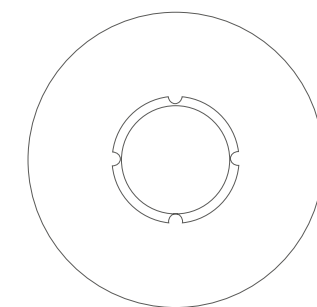
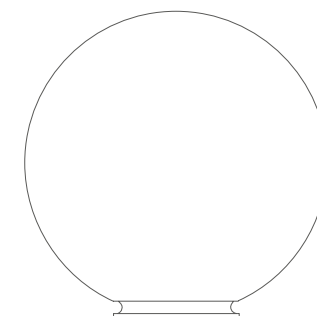
Auris I



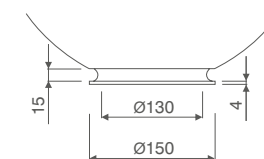
Auris Maxi I



Balloon



Ø300-Ø500



IV. LIGHTING LUMINAIRES

» Diffusers for luminaire OPC-1, OPA, OPA-1, OW, OW-2



Balloon painted



Cone



Cone small painted



Sphere transparent



Sphere

IV. LIGHTING LUMINAIRES

Diffusers for luminaire OPC-1, OPA, OPA-1, OW, OW-2



Sphere prismatic



Sphere painted mounted upwards



Sphere painted mounted downwards



Kiara white



Kiara metalized



IV. LIGHTING LUMINAIRES

» Diffusers for luminaire OPC-1, OPA, OPA-1, OW, OW-2

Lamp-diffuser type	Material type	Colour (code)				Used luminaire type	Lamp-diffuser type	Material type	Colour (code)				Used luminaire type
		White	Transparent	Smoked	Gold				White	Transparent	Smoked	Gold	
Cone ø300	PC-UV	655669	655668	-	-	OW, OW-2, OPA	Balloon ø300	PMMA	680661	680663	-	-	OPC, OPA-1
	PMMA	655661	655663	-	-		Balloon painted ø300	PMMA	681661	681663	-	-	
Cone painted ø300	PC-UV	685669	685668	-	-	OPA	Kiara ø360	PMMA	653761	653763	-	-	OPC-1, OPA-1
	PMMA	685661	685663	-	-		Kiara metalized ø360	PC	-	674763	-	-	
Cone ø400	PC-UV	655169	655168	-	-	OW, OW-2, OPA	Auris without a cap	PC-UV	-	660169	-	-	OPA-1
	PC	655160	655162	-	655166		PC	-	660162	-	-		
Cone painted ø400	PC-UV	685169	685168	-	-	OPA	Auris I without a cap	PMMA	-	660163	-	-	OPA-1
	PC	685160	685162	-	685166		PC-UV	-	671169	-	-		
Sphere ø400	PC-UV	651169	-	-	-	OPC-1, OPA, OPA-1, OW	PC	-	671162	-	-	OPA-1	
	PC	651160	651162	-	651166		PMMA	-	671163	-	-		
	PMMA	651161	651163	651165	651167		PC	-	660362	-	-		
Sphere painted ø400 upwards	PC-UV	669169	-	-	-	OPC-1, OPA-1	Auris Maxi without a cap	PMMA	-	660363	-	-	OPC-1, OPA-1
	PC	669160	669162	-	669166		PC	-	671362	-	-		
	PMMA	669161	669163	669165	669167		PMMA	-	671363	-	-		
Sphere painted ø400 downwards	PC-UV	670169	-	-	-	OPA	Atlantitis with black painted cap	PMMA	662361	662363	-	-	OPC-1, OPA-1
	PC	670160	670162	-	670166		Atlantitis with other colour painted cap	PMMA	670361	670363	-	-	
	PMMA	670161	670163	670165	670167		Atlantis frozen with black painted cap	PMMA	-	662368	-	-	
Sphere prismatic ø400	PC	-	652162	-	652166	OPC-1, OPA, OPA-1, OW	Atlantitis frozen with other colour painted cap	PMMA	-	670368	-	-	OPC-1, OPA-1
	PMMA	-	-	652165	652167		Additional elements	Cap code		Material	External diameter		
Sphere prismatic ø450	PC	-	652262	-	652266	OPC-1, OPA-1	Black	Other colour	Aluminium sheet			600	
	PMMA	-	-	-	652267		Aluminium cap Auris	923602		923603			
Sphere painted ø450 upwards	PC-UV	669269	-	-	-	OPC-1, OPA-1	Aluminium cap Auris Maxi	923662	923663	Aluminium sheet	660		
	PC	669260	669262	-	669266		For painted caps, down part is white						
	PMMA	669261	669263	-	669267								
Sphere painted ø450 downwards	PC-UV	670269	-	-	-	OPA							
	PC	670260	670262	-	670266								
	PMMA	670261	670263	-	670267								
Sphere ø450	PC-UV	651269	-	-	-	OPC-1, OPA, OPA-1, OW							
	PC	651260	651262	-	651266								
	PMMA	651261	651263	-	651267								
Sphere ø500	PC-UV	651369	-	-	-	OPC-1, OPA, OPA-1							
	PC	651360	651362	-	651366								
	PMMA	651361	-	-	651367								

* for Client's request cap may be painted into any color according to RAL pallet (code 670363)

Additional elements	Cap code		Material	External diameter
	Black	Other colour		
Aluminium cap Auris	923602	923603	Aluminium sheet	600
Aluminium cap Auris Maxi	923662	923663	Aluminium sheet	660

For painted caps, down part is white

IV. LIGHTING LUMINAIRES

Stainless steel louvre reflector for park and decorative luminaires



APPLICATION:

installation in park luminaires.

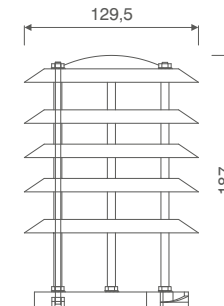
TECHNICAL INFORMATION:

- small louvre – for park luminaires (E-27), complete with five blades, available in two versions: for upwards mounting (the final blade of louvre is full) and for downwards mounting (the final blade of louvre is open),
- big louvre – for park luminaires (E-40), complete with seven blades available in two versions: for upwards mounting the last roller of louvre is full) and for downwards mounting (the last roller of louvre is open),
- OS-1 louvre – complete with five blades, for downwards mounting, the last roller of louvre is open, without bayonet mounting.

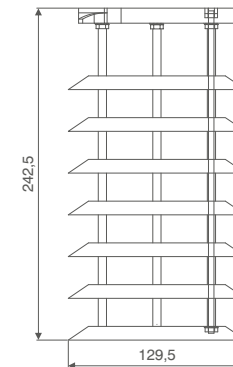
- **material:** stainless steel,
- **application:** for luminaires OP, OPC-1, OPA, OPA-1, OW, OW-2 with transparent, smoked and gold diffusers and OS-1 luminaire,
- **mounting:** without the use of tools through rotating - in the luminaire cover, in case of OS-1 louvre mounting directly to gear tray,
- **size:**
 - small louvre: diameter 129,5 mm, height 187 mm,
 - big louvre: diameter 129,5 mm, height 242,5 mm,
 - OS-1 louvre: diameter 129,5 mm, height 187 mm.

ADVANTAGES:

- control of light distribution,
- glare control,
- decorative section.



Small stainless steel louvre reflector mounted upwards



Big stainless steel louvre reflector mounted downwards



IV. LIGHTING LUMINAIRES

» Stainless steel louvre reflector for park and decorative luminaires

Big stainless steel louvre reflector
mounted upwardsBig stainless steel louvre reflector
mounted downwardsOS-1 stainless steel
louvre reflectorSmall stainless steel louvre reflector
mounted upwardsSmall stainless steel louvre reflector
mounted downwards

Reflector type	Code	Luminaire type	Lamp holder type	Weight [kg]	Unit volume [m ³]
Small louvre reflector made of stainless steel upwards	911126	OP, OPC-1, OPA-1	E-27	0,29	0,004
Small louvre reflector made of stainless steel downwards	911127	OP, OPA, OW, OW-2	E-27	0,30	
Big louvre reflector made of stainless steel upwards	911116	OP, OPC-1, OPA-1	E-40	0,40	
Big louvre reflector made of stainless steel downwards	911117	OP, OPA, OW, OW-2	E-40	0,38	
Louvre reflector OS-1 made of stainless steel	911307	OS-1	E-27	0,25	