

I. ALUMINIUM COLUMNS

» Aluminium lowering and raising columns

APPLICATION:

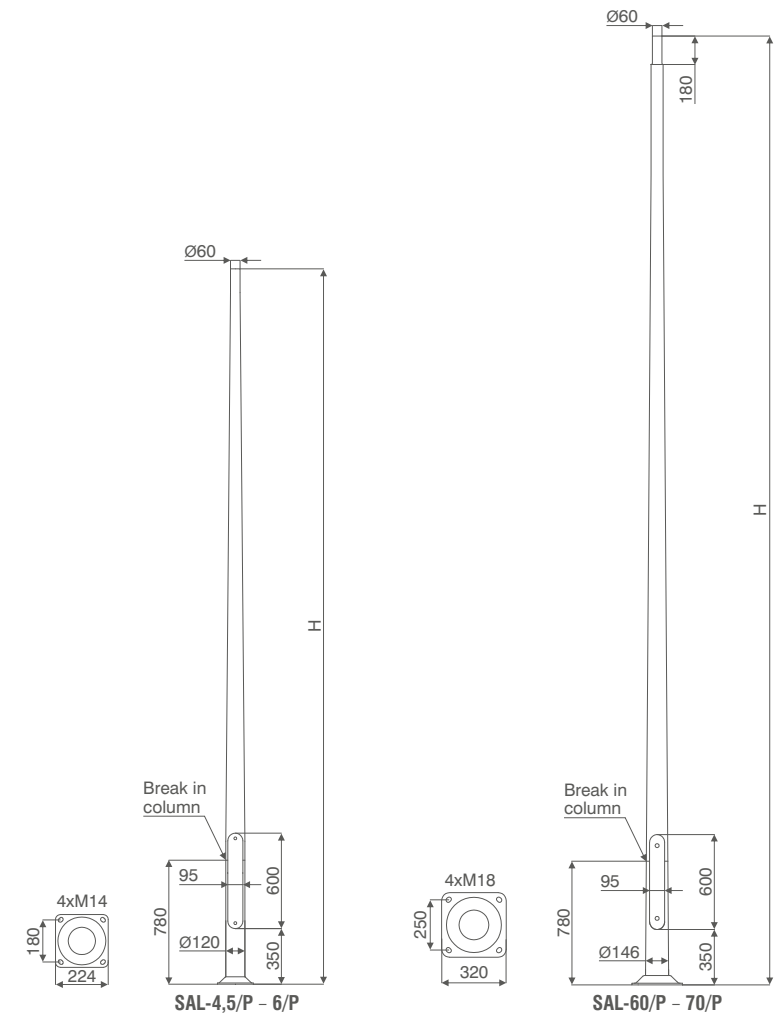
tennis courts, ski areas, gardens, residences, roadway junctions, airports, platforms and difficult access areas.

TECHNICAL INFORMATION:

- height from 4,5 to 10 m,
- column angle inclination: from 0° to 90°,
- sheet base,
- Aluminium lowering and raising columns SAL-../P (4,5 to 7 m) manual lower and raise SAL-...M/P (8,5 to 10 m) two types of mechanism:
 1. hinged, hand cranked double collar accessory fixes above and below break in column,
 2. as above complete with transmission gear allowing operation using electric drill.

ADVANTAGES:

- possibility of safe changing/maintenance of luminaire, camera, floodlight from ground level,
- low maintenance cost of luminaire,
- easy and safe way of lowering and raising column,
- lowering and raising can be made by one person only,
- column can lowered in two perpendicular surfaces to the niche chamber,
- purchase of one mechanism (helical or articulated) is enough to service all columns type SAL...M/P,
- low service costs – no need for high lift access equipment or above head height trained staff.



I. ALUMINIUM COLUMNS

Lowering and raising columns SAL-.../P

Aluminium column		SAL-4,5/P	SAL-5/P	SAL-6/P	SAL-60/P	SAL-70/P
Height H [m]		4,5	5,0	6,0	6,0	7,0
Colour -anodizing method	CO - natural colour	42915/CO	42916/CO	42918/CO	42925/CO	42927/CO
	C - electrochemical colouring	42915/C...	42916/C...	42918/C...	42925/C...	42927/C...
	CI - interference colouring	42915/CI...	42916/CI...	42918/CI	42925/CI...	42927/CI...
Code						
Painting - polyester powder paints according to RAL pallet		43915	43916	43918	43925	43927
Net weight [kg]		21,8	23,4	27,5	37,5	41,9
Approximate unit volume [m ³]*		0,10	0,11	0,13	0,23	0,28
Pole top mounted		OPC-1 (p. 144), OP (p. 142), OPA-1 (p. 146), OS-1 (p. 138), ELBA (p. 156), street lighting luminaires (p. 166)				
Extension arms usage		WA-01, WA-1, WA-2 (p. 83), WR-1/1, WR-4/1 (p. 87), WN-1 (p. 96) and extension arms with maximum 1 arm with length up to 0,6 m increasing luminaire fixing up to 0,3 m				
Concrete footing type		B-50			B-60	
Concrete footing code		311150			311160	
Reinforcement basket type		Z-50			Z-60	
Reinforcement basket code		311205			311206	
Hot galvanized nut set		4006			4008	
Hot galvanized ripable nut set		4007			4009	
Base dimensions (side length/fixing hole spacing/thickness) [mm]		224/180/8			320/250/10	

* For orders more than 10 pcs stated volume may change according to packing

Acceptable column load

Acceptable luminaires and extension arms mass [kg]		20	18	15	14	12
Acceptable windage of luminaires and extension arms [m ²] for Cx = 0,7	I zone, II location category 22 m/s, (79,2 km/h)	0,48	0,36	0,20	0,72	0,50
	I and III zone, II location category For 450 m n.p.m. 24 m/s, (86,4 km/h)	0,31	0,28	0,15	0,60	0,38
	II zone, II location category 26 m/s, (93,6 km/h)	0,25	0,23	Magnolia	0,45	0,26
	III zone, II location category For 750 m n.p.m. 27,9 m/s, (100,6 km/h)	0,23	0,21	x	0,39	0,22

Specified arms and luminaires must always be checked against published column wind zone loadings and location categories

I. ALUMINIUM COLUMNS

» Lowering and raising columns SAL-.../P



Column diagram SAL-.../P:

1. Remove door
2. Remove hinge securing bolt
3. Hold column and pull out hinge safety pin
4. Walk column down
5. Assemble/maintain luminaire
6. Manually raise column
7. Replace hinge safety pin and hinge securing bolt
8. Refit column door.

I. ALUMINIUM COLUMNS

Lowering and raising columns SAL-...M/P



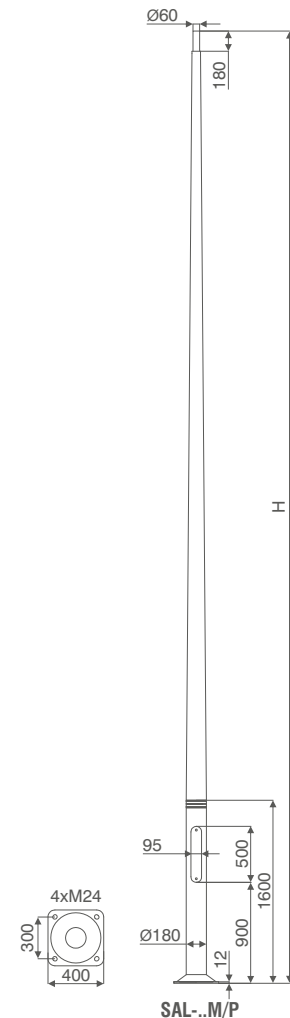
Aluminium column		SAL-85M/P	SAL-90M/P	SAL-95M/P	SAL-100M/P
Height H [m]		8,5	9,0	9,5	10,0
Colour -anodizing method	CO - natural colour	42930/CO	42931/CO	42932/CO	42933/CO
	C - electrochemical colouring	42930/C..	42931/C..	42932/C..	42933/C..
	CI - interference colouring	42930/CI..	42931/CI..	42932/CI..	42933/CI..
Code					
Painting - polyester powder paints according to RAL pallet		43930	43931	43932	43933
Net weight [kg]		50,7	53,9	57,1	60,3
Approximate unit volume [m³]*		0,56	0,59	0,62	0,65
Pole top mounted		street lighting luminaires (p. 166)			
Extension arms usage		WR (p. 87), WRP (p. 93), WN (p. 96) with maximum 2 extension arms with lenght up to 1,0 m increasing luminaire fixing up to 0,7 m			
Concrete footing type		B-70			
Concrete footing code		311170			
Reinforcement basket type		Z-70			
Reinforcement basket code		311207			
Hot galvanized nut set		4012			
Hot galvanized ripable nut set		4013			
Base dimensions (side length/fixing hole spacing/thickness) [mm]		400/300/12			

* For orders more than 10 pcs stated volume may change according to packing

Acceptable column load

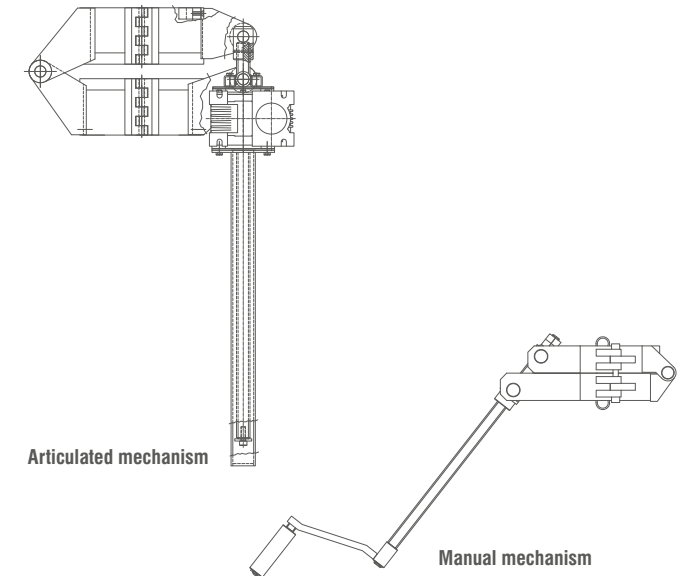
Acceptable luminaires and extension arms mass [kg]		38	36	34	32
Acceptable windage of luminaires and extension arms [m²] for Cx=0,7	I zone, II location category 22 m/s, (79,2 km/h)	0,90	0,76	0,63	0,50
	I and III zone, II location category For 450 m n.p.m. 24 m/s, (86,4 km/h)	0,75	0,62	0,51	0,40
	II zone, II location category 26 m/s, (93,6 km/h)	0,56	0,46	0,36	0,27
	III zone, II location category For 750 m n.p.m. 27,9 m/s, (100,6 km/h)	0,50	0,41	0,32	0,24

Specified arms and luminaires must always be checked against published column wind zone loadings and location categories



I. ALUMINIUM COLUMNS

» Lowering and raising columns SAL-...M/P



Double clamp device	Manual	Articulated (without drilling machine)
Code	4005	4010

Column diagram SAL -...M/P:

1. Fit double collar accessory
2. Remove door
3. Release 3 column securing bolts
4. Mount the drilling machine in mechanism,
5. Lower column
6. Assemble/ maintain luminaire
7. Raise column
8. Refit 3 column securing bolts,
9. Refit column door,
10. Disassemble double collar accessory.